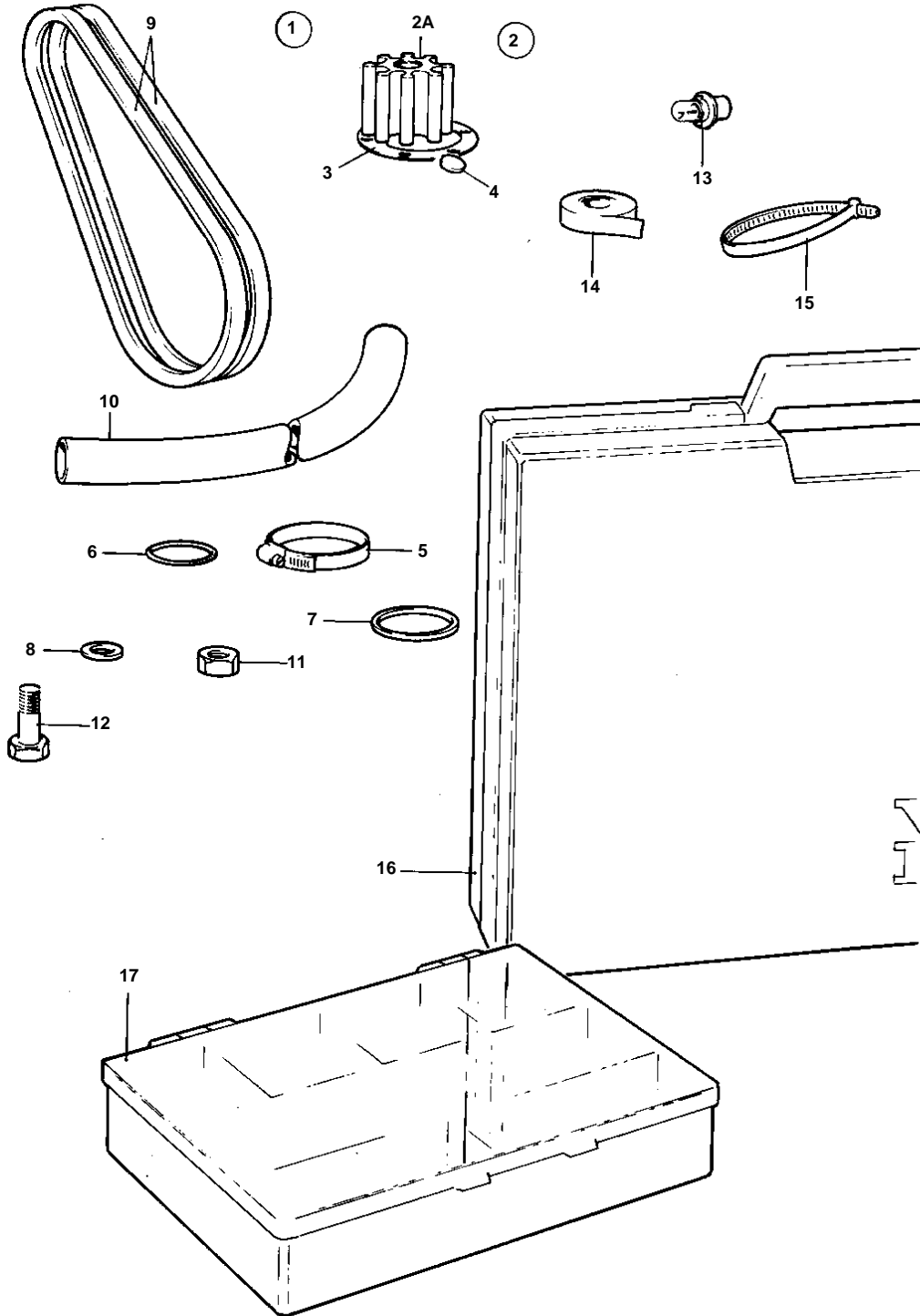


COMMON



8421

## COMMON

REF	PART NO.	QTY	DESCRIPTION	NOTES
1	858632	1	On board kit	
2	875593	1	· Impeller kit	
2A	825941	1	· · Impeller	REPL BY 875593
3	808275	1	· · Gasket	L = 2X1100 MM
4	827019	2	· · Sealing washer	L = 500 MM
5	943474	4	· Hose clamp	
	943476	2	· Hose clamp	
6	949658	3	· O-ring	
7	858986	4	· Sealing ring	(842744)
	842913	2	· Sealing ring	
8	957171	20	· Gasket	
	11994	10	· Gasket	
9	958359	1	· Drive belt set	
10	944386	X	· Hose	
11	955782	2	· Nut	FOR FUEL INJECTOR.
12	841963	6	· Flywheel housing	
13	19923	4	· Bulb	
14	858283	1	· Electrical tape	
15	948210	10	· Strip clamp	
16	858631	1	· Bag	
17	858284	1	· Box	